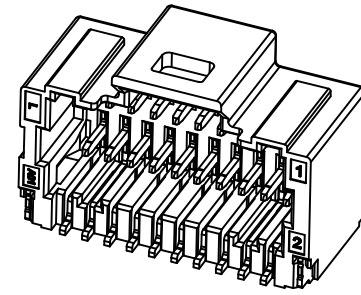
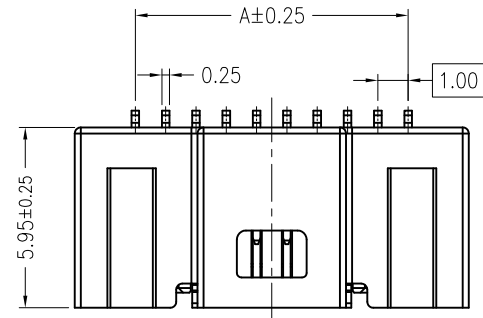
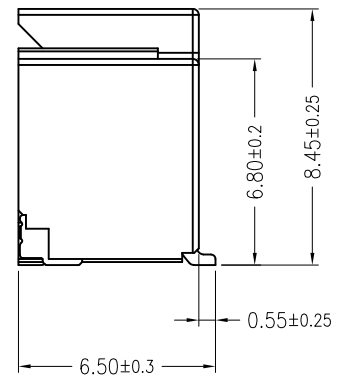
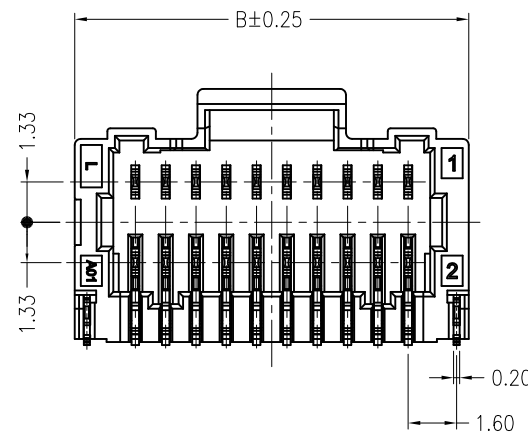


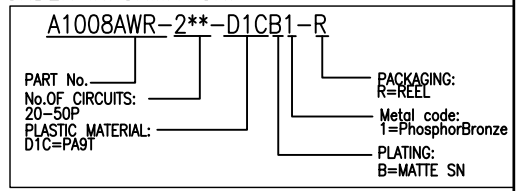
REV	DESCRIPTION	DESIGN	DATE
A	NEW RELEASE	Yonghua fei	2023/11/02



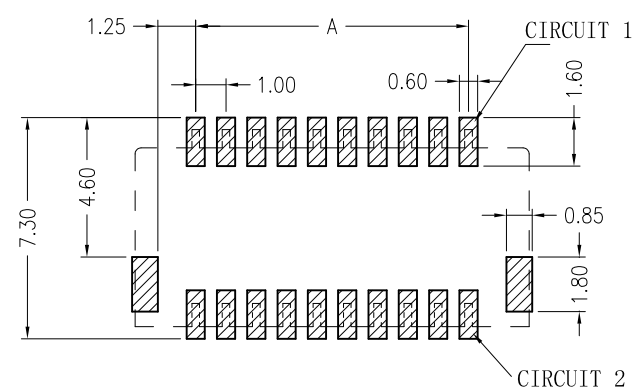
Specifications:  
 Poles: 20 to 50  
 Contact resistance: ≤20mΩ  
 Insulation resistance: ≥100MΩ  
 Rated voltage: 100V AC DC  
 Rated current: 1.0A AC DC  
 Withstand Voltage: 300V AC/minute  
 Temperature Range: -40°C ~ +105°C  
 Housing: PA9T UL94V-0, Natural  
 Contacts: Phosphor Bronze / MATTE Sn-plated  
 Solder tabs: Brass / MATTE Sn-plated



ORDER INFORMATION:



0.1



RECOMMENDED PCB LAYOUT  
 ALL TOLERANCE ARE ±0.05

Circuits	Dimensions(mm)	
	A	B
2x10	9.00	13.00
2x15	14.00	18.00
2x20	19.00	23.00
2x25	24.00	28.00

<b>JKUN</b> 温州健坤接插件有限公司 WENZHOU JKUN CONNECTOR CO.,LTD.		TITLE: 1.00 Pitch Wafer 90° SMT	
GENERAL TOLERANCE		USE: CUSTOMER	PART NO.:
X.X ±0.30	X. ±5°	APPD: Jianjun yao	A1008AWR-2**-D1CB1-R
X.XX ±0.20	X.X ±2°	CHKD: Xiaofang Yan	DWG NO.:
X.XXX ±0.10	X.XX ±1°	DR: Yonghua fei	JKUN-GCKH-1699
UNITS: mm		SCALE 1 : 1	SHEET 1 / 1

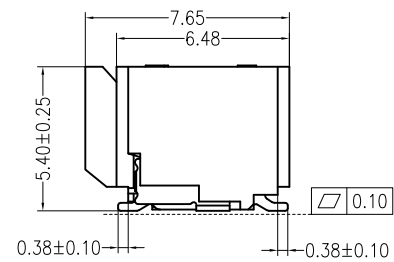
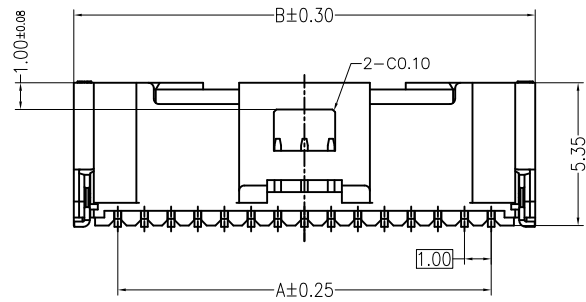
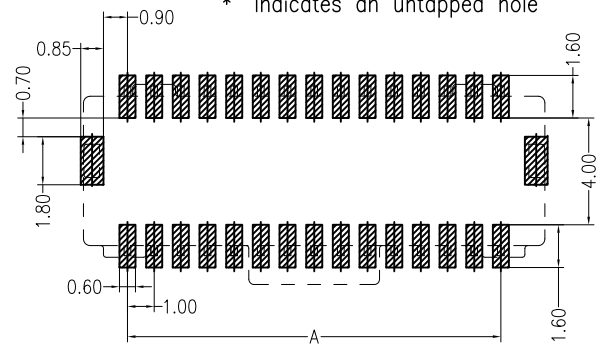
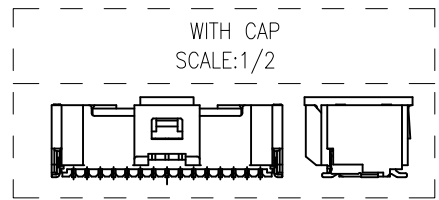
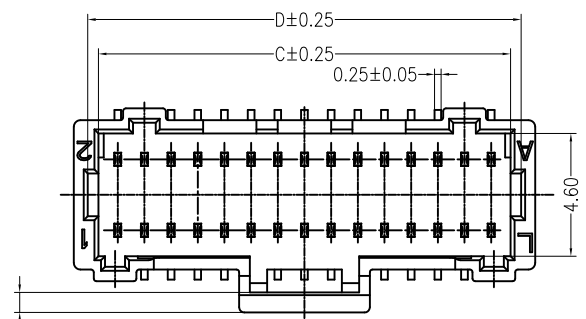
REV	DESCRIPTION	DESIGN	DATE
D	New Specification	Z.M.Xue	2023/10/27

Specifications:  
Poles: 20 to 50  
Contact resistance:  $\leq 20m\Omega$   
Insulation resistance:  $\geq 100M\Omega$   
Rated voltage: 100V AC DC  
Rated current: 1.0A AC DC  
Withstand Voltage: 300V AC/minute  
Temperature Range:  $-40^{\circ}C \sim +105^{\circ}C$   
Housing: PA9T UL94V-0, Natural  
Contacts: Phosphor Bronze / Matte Sn-plated  
Solder tabs: Brass / MATTE Sn-plated  
Cap: PA9T UL94V-0, Natural  
"\*" Indicates an untapped hole

ORDER INFORMATION:  
**A1008AWV-2\*\*-D1CB1-R-X**

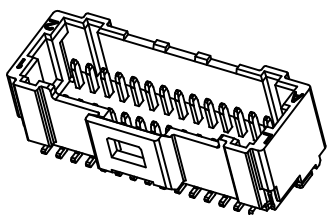
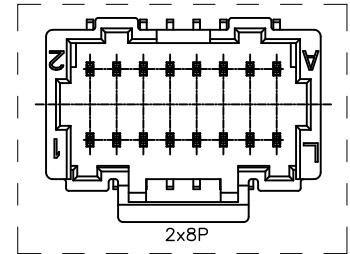
PART No. \_\_\_\_\_  
No. OF CIRCUITS: 20-50P  
PLASTIC MATERIAL: DTC=PA9T

X: CAP  
R: REEL  
Metal code:  
1= Phosphor Bronze  
PLATING:  
B= Matte Sn



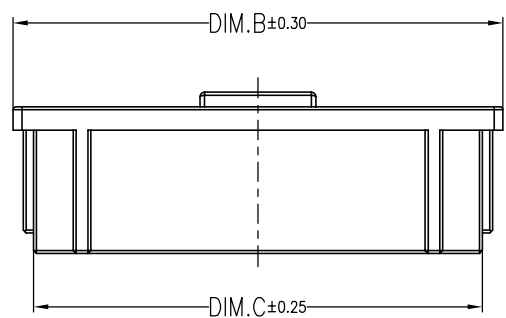
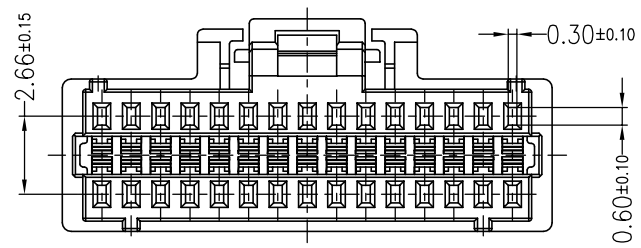
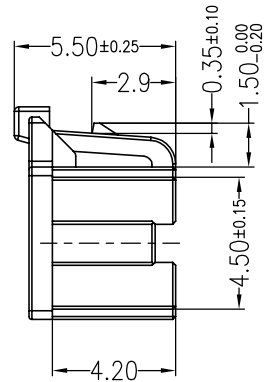
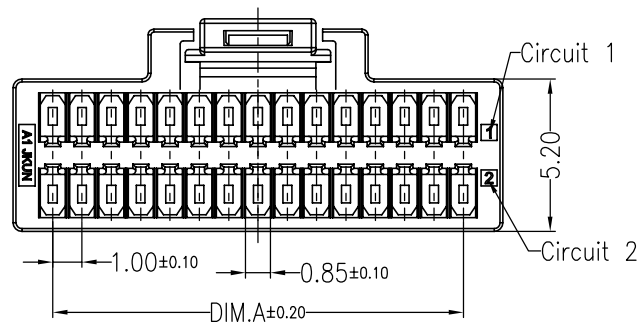
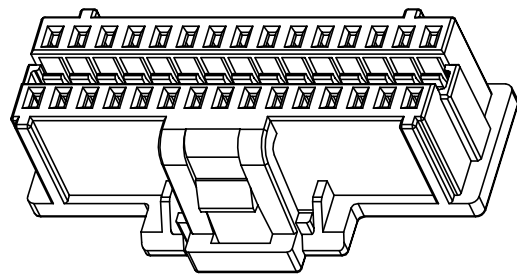
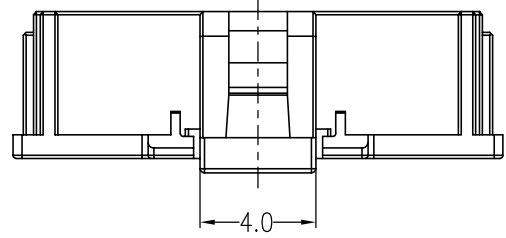
PCB LAYOUT (Tolerance:  $\pm 0.05$ )

Circuits	Dimensions (mm)			
	A	B	C	D
*2x8	7.00	10.30	8.45	9.25
2x10	9.00	12.30	10.45	11.25
*2x12	11.00	14.30	12.45	13.25
2x13	12.00	15.30	13.45	14.25
*2x14	13.00	16.30	14.45	15.25
2x15	14.00	17.30	15.45	16.25
*2x18	17.00	20.30	18.45	19.25
2x20	19.00	22.30	20.45	21.25
2x25	24.00	27.30	25.45	26.25



<b>JKUN</b> 温州健坤接插件有限公司 WENZHOU JKUN CONNECTOR CO.,LTD.		TITLE: 1.00 Pitch Wafer 180° SMT	
GENERAL TOLERANCE		USE: CUSTOMER	PART NO.:
X. $\pm 0.50$	X. $\pm 5^{\circ}$	APPD: J.J.Yao	A1008AWV-2**-D1CB1-R-X
X.X $\pm 0.30$	X.X $\pm 2^{\circ}$	CHKD: X.F.Yan	DWG NO.:
X.XX $\pm 0.20$	X.XX $\pm 1^{\circ}$	DR: Z.M.Xue	JKUN-GCKH-0858
UNITS: mm		SCALE 1 : 1	SHEET 1 / 1

REV	DESCRIPTION	DESIGN	DATE
A	NEW RELEASE	Z.M.Xue	2023/04/28

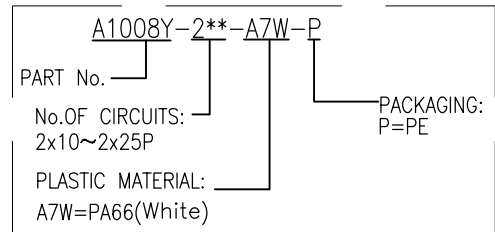


Specifications:

- Contact resistance:  $\leq 20\text{m}\Omega$
- Insulation resistance:  $\geq 100\text{M}\Omega$
- Rated voltage: 100V AC DC
- Rated current: 1.0A AC DC
- Withstand Voltage: 300V AC/minute
- Temperature Range:  $-40^{\circ}\text{C} \sim +105^{\circ}\text{C}$
- Housing: PA66 UL94V-0, White

Circuits	Dimensions(mm)		
	A	B	C
2*10	9.00	11.70	10.30
2*12	11.00	13.70	12.30
2*13	12.00	14.70	13.30
2*14	13.00	15.70	14.30
2*15	14.00	16.70	15.30
2*18	17.00	19.70	18.30
2*20	19.00	21.70	20.30
2*25	24.00	26.70	25.30

ORDER INFORMATION:

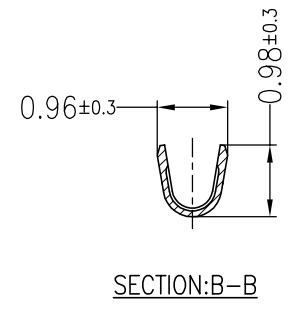
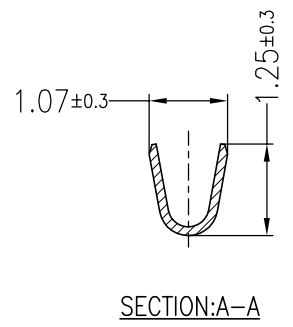
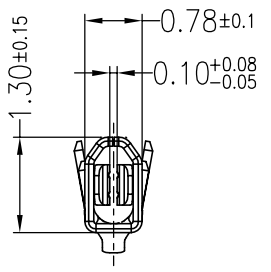
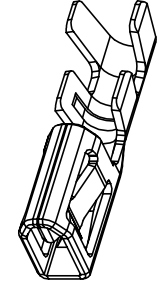
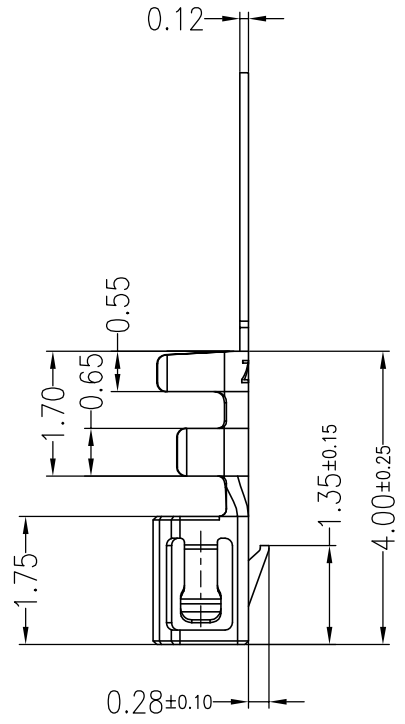
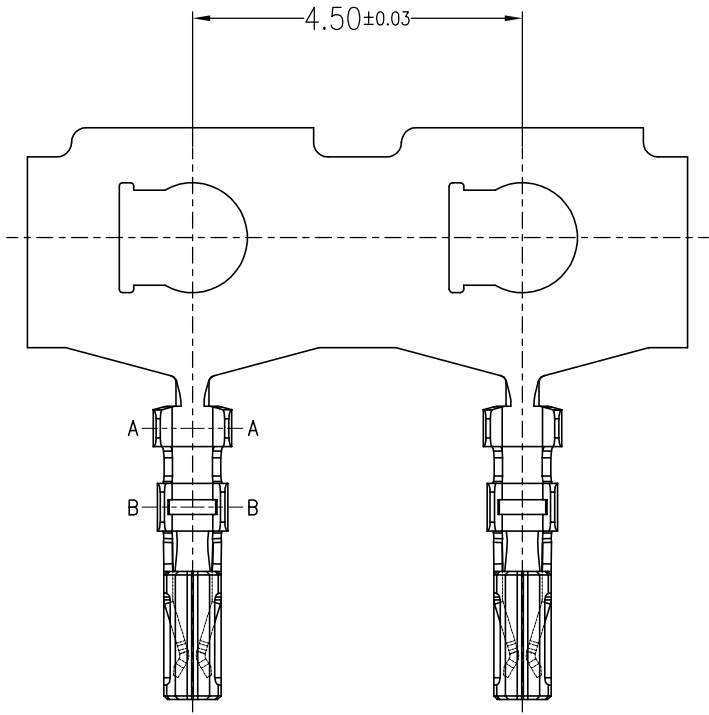


**JKUN** 温州健坤接插件有限公司  
WENZHOU JKUN CONNECTOR CO.,LTD.

GENERAL TOLERANCE		USE:
X.X ±0.30	X. ±5'	CUSTOMER
X.XX ±0.20	X.X ±2'	APPD: ZHUZHIGANG
X.XXX ±0.10	X.XX ±1'	CHKD: Yan Peng
	UNITS: mm	DR: Z.M.Xue

TITLE:	1.00mm PITCH Housing	
PART NO.:	A1008Y-2**-A7W-P	
DWG NO.:	JKUN-GCKH-1581	
SCALE	4 : 1	SHEET
		1 / 1

REV	DESCRIPTION	DESIGN	DATE
A	NEW RELEASE	Z.M.Xue	2023/04/28

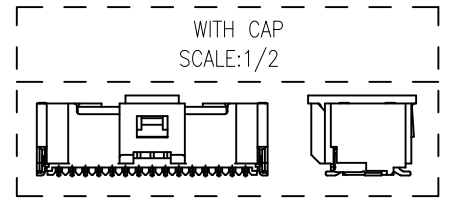
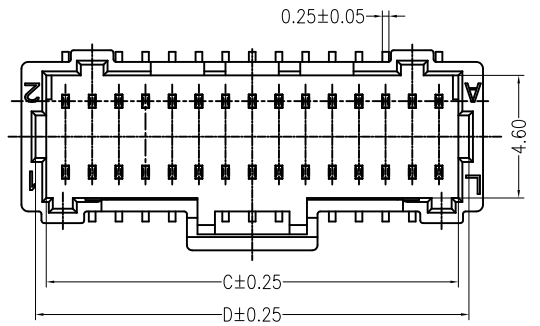


### Ordering Information & Specification:

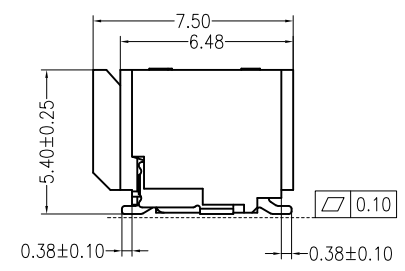
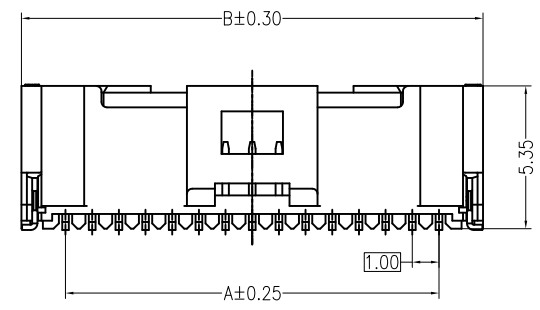
Part No	Wire Range	Insulation O.D.	Material	Finish	Qty/Reel
A1008T-01	AWG #28~#32	0.8mm MAX	Phosphor bronze	Gold Flash	

<b>JKUN 温州健坤接插件有限公司</b> WENZHOU JKUN CONNECTOR CO.,LTD.			TITLE: 1.00mm PITCH Terminal		
GENERAL TOLERANCE		USE:	PART NO.:		
X.X ±0.30	X. ±5'	CUSTOMER	A1008T-01		
X.XX ±0.20	X.X ±2'	APPD:	DWG NO.:		
X.XXX ±0.10	X.XX ±1'	ZHUZHIGANG	JKUN-GCDZ-0113		
⊕	UNITS:	CHKD:	SCALE		SHEET
mm	mm	Yan Peng	10 : 1		1 / 1
		DR:	Z.M.Xue		

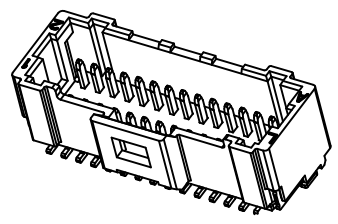
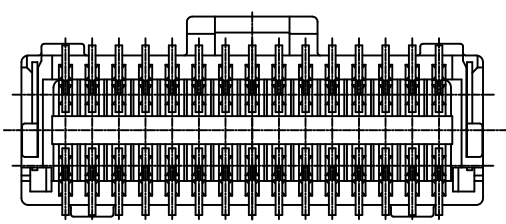
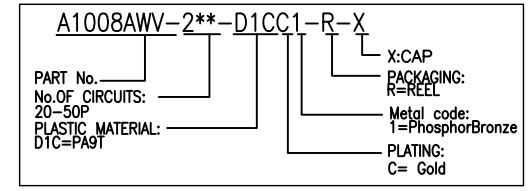
REV	DESCRIPTION	DESIGN	DATE
A	NEW RELEASE	FangSongLe	2020/09/23



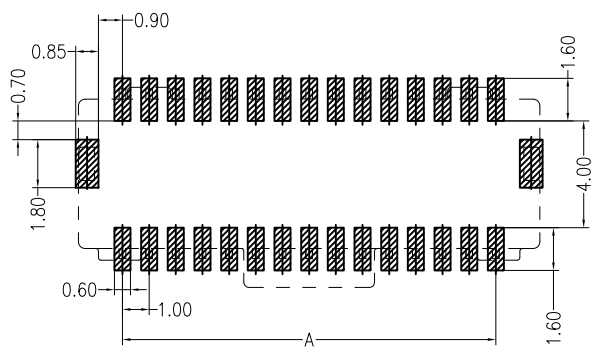
Specifications:  
 Poles: 20 to 50  
 Contact resistance: ≤20mΩ  
 Insulation resistance: ≥100MΩ  
 Rated voltage: 50V AC DC  
 Rated current: 0.8A AC DC  
 Withstand Voltage: 250V AC/minute  
 Temperature Range: -25°C ~ +85°C  
 Housing: PA9T UL94V-0, Natural  
 Contacts: Phosphor Bronze / Gold-plated  
 Solder tabs: Brass / MATTE Sn-plated  
 Cap: PA9T UL94V-0, Natural



ORDER INFORMATION:



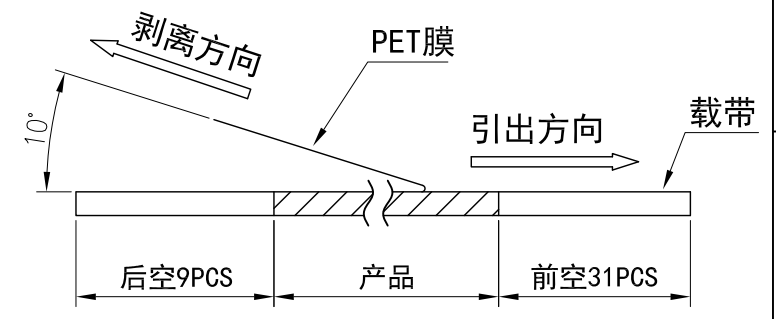
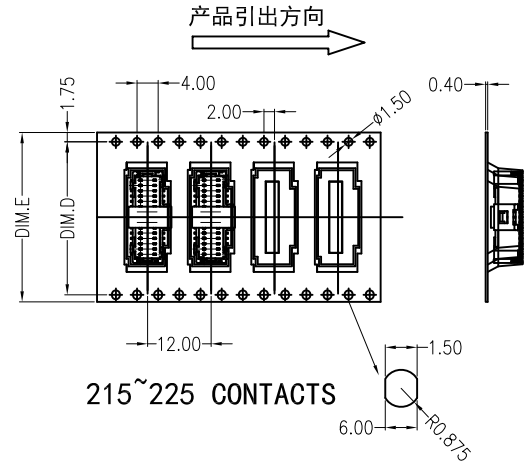
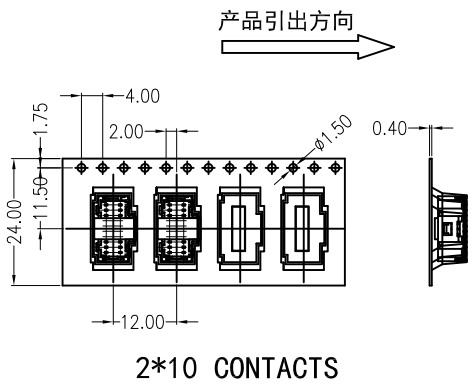
PIN.	DIM A	DIM B	DIM C	DIM D
2x10P	9.00	12.30	10.45	11.25
2x15P	14.00	17.30	15.45	16.25
2x20P	19.00	22.30	20.45	21.25
2x25P	24.00	27.30	25.45	26.25



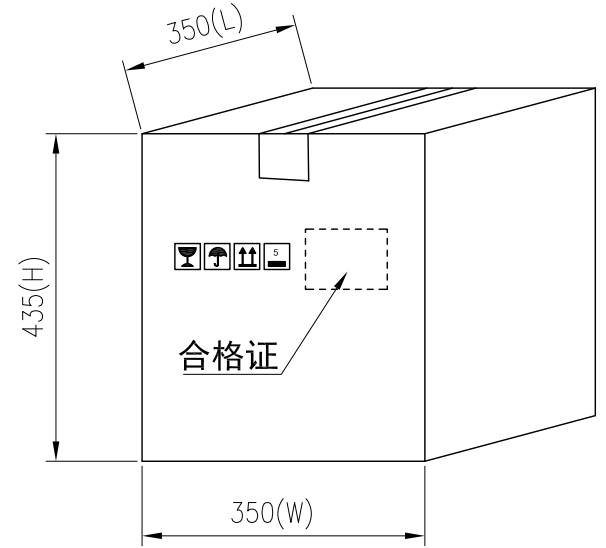
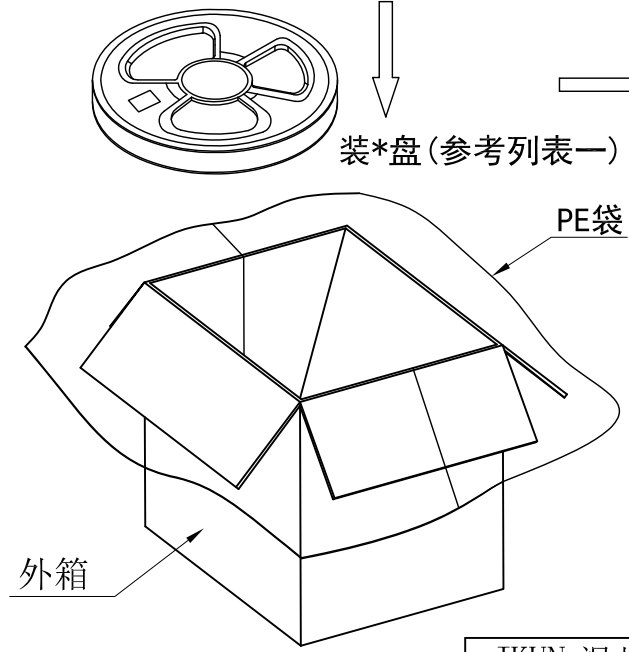
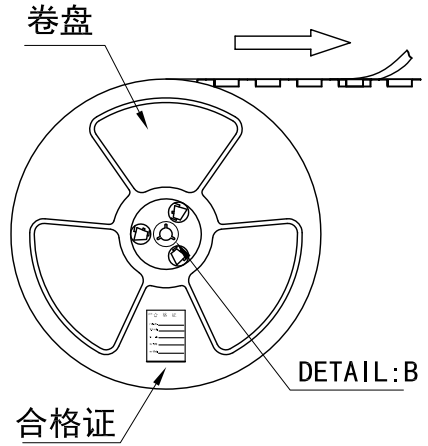
PCB LAYOUT(Tolerance:±0.05)

<b>JKUN</b> 温州健坤接插件有限公司 WENZHOU JKUN CONNECTOR CO.,LTD.		TITLE: 1.00 Pitch Wafer 180° SMT	
GENERAL TOLERANCE		USE: CUSTOMER	PART NO.:
X. ±0.50	X. ±5°	APPD: Liuzhengling	A1008AWV-2**-D1CC1-R-X
X.X ±0.30	X.X ±2°	CHKD: Steven	DWG NO.:
X.XX ±0.20	X.XX ±1°	DR: FangSongLe	JKUN-GCKH-0852
UNITS: mm		SCALE 1 : 1	SHEET 1 / 1

REV	ECN No.	DESCRIPTION	DESIGN	DATE
A		Release	蒋建银	2021.07.22



(PET膜剥离示意图)



列表一

Circuits	DIM. D	DIM. E	Q'ty/Reel	Packing (Reel/Caton)
2*10PIN	-	24	800PCS	15/Reel
2*15PIN	28.4	32	800PCS	11/Reel
2*20~2*25PIN	40.4	44	800PCS	8/Reel

- 包装说明:
- 把成品包入卷盘中, 每盘装800PCS, 卷盘上贴上合格证, 将装好产品的卷盘放进外箱中, 外箱内先套一个大PE袋, 外箱上贴贴上合格证.
  - 所有材料有害物控制需符合RoHS标准.

JKUN 温州健坤接插件有限公司 WENZHOU JKUN CONNECTOR CO., LTD.			TITLE:	
X.± 0.5	X.±'	USE:	CUSTOMER	
.X± 0.3	.X±'	APPD:	邵敬和	
.XX±0.25	.XX±'	CHKD:	方松乐	
--	--	DR:	蒋建银	
UNITS: mm		SCALE	SHEET	
		1 : 1	1 / 1	